



# THE NEW X6



## Technical data

### Technology, Engine and Performance

### X6 xDrive40i M Sport

Engine Type / Cylinder	<b>Inline / 6</b>
Effective Displacement (cm <sup>3</sup> )	<b>2,998</b>
Max Power Output (kW (hp))	<b>280 (375)</b>
Max Torque (Nm)	<b>540</b>
Acceleration 0 – 100 km/h (s)	<b>5.4</b>
Top Speed (km/h)	<b>250</b>
Fuel Consumption, combined (ltr/100km)	<b>TBC</b>
VES Band	<b>C2</b>

## Standard specifications

### Driving and Safety

Active Protection	•
BMW xDrive with Hill Descent Control	•
Adaptive M suspension	•
Adaptive LED Headlights with high-beam assistant	•
Driving Assistant	•
Cruise control with braking function	•
M sport brake	•
8-speed Steptronic Transmission with gearshift paddles	•
Tyre pressure indicator	•
Warning triangle with first-aid kit	•
Expanded exterior mirror package	•
Parking Assistant Professional	•
Rain sensor and automatic driving lights control	•
Travel and Comfort System	•

### Exterior Styling

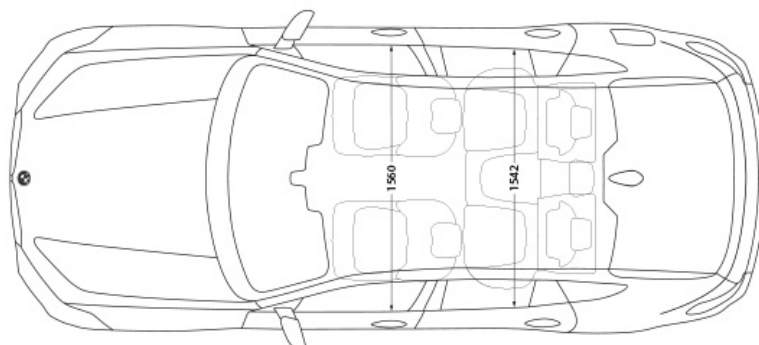
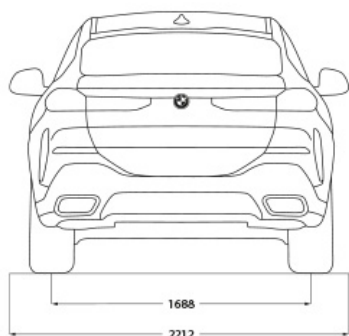
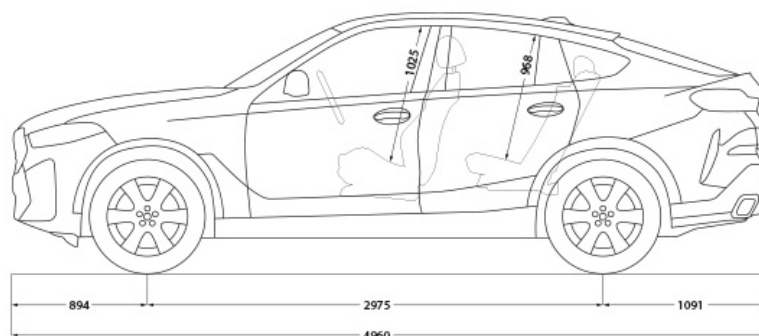
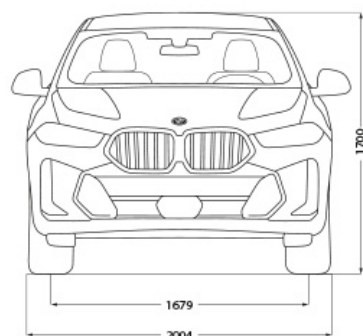
M High-gloss Shadow Line	•
22" M light alloy wheels V-spoke style 747 M Bicolour with mixed tyres	•
M Aerodynamics Package	•
M roof rails high-gloss Shadow Line	•

## Standard specifications

Comfort and Interior Styling	
Ambient Lighting	•
M headliner anthracite	•
Comfort Access system	•
Floor mats in velour	•
M interior trim finishers 'Carbon Fibre'	•
M leather steering wheel, multifunction	•
Sports seats for driver and front passenger, electrically adjustable with memory and lumbar support	•
Sustainable Sensafin upholstery in Tacora Red/Black,Coffee, Silverstone, Black or Cognac	•
Automatic operation of tailgate	•
Soft-Close function for doors	•
Communication and Infotainment	
BMW Live Cockpit Plus with curved display	•
BMW Connected Package Professional	•
Harman Kardon surround sound system	•
Wireless charging tray	•

## Exterior dimensions (mm)

Legend • Standard



Equipment and actual specifications may vary from model shown and are subject to availability. Please contact your nearest authorized BMW Dealer for additional information.

BMW Financial Services Singapore Pte Ltd recommends financing solution plan with partner DBS Bank Ltd and BMW Comprehensive Motor Insurance, underwritten by Liberty Insurance Pte Ltd.